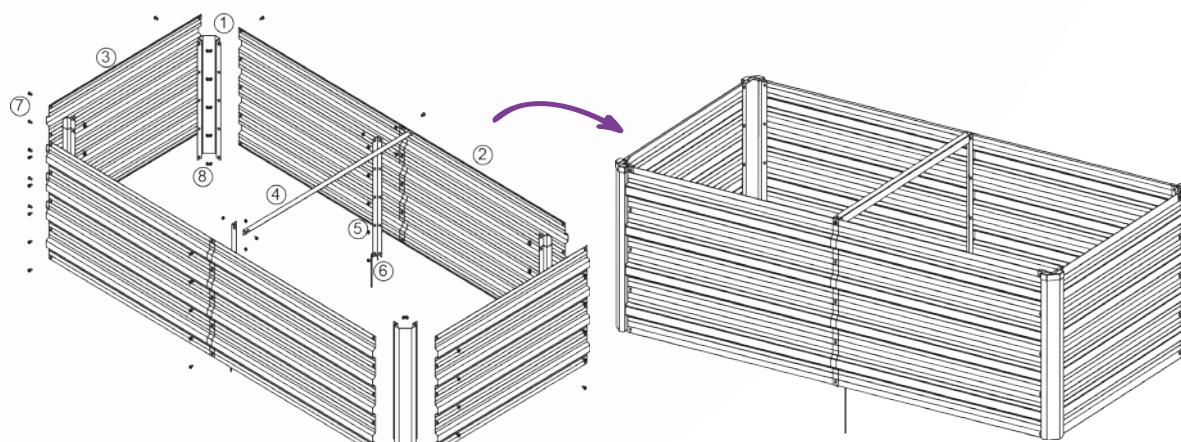
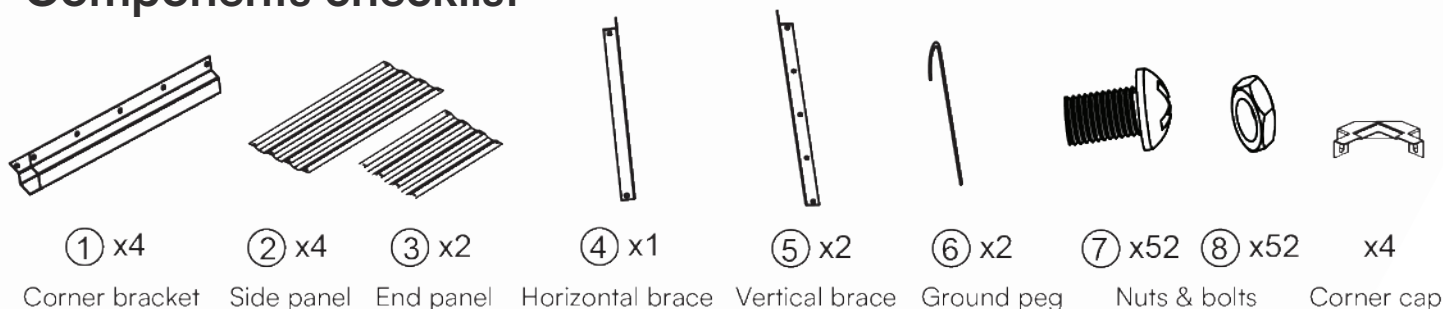


Raised Garden Bed

Assembly Instructions

Components checklist



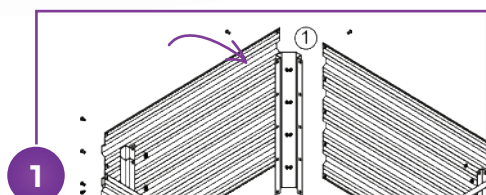
Step by Step instructions

READ ALL INSTRUCTIONS CAREFULLY BEFORE INSTALLING

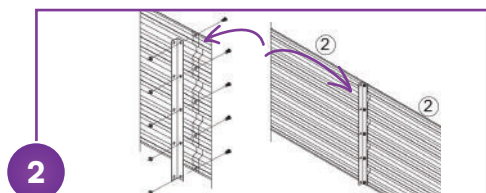
Unpack unit, remove protective plastic wrap and check you have all components.

Handle components with care due to sharp corners. Assemble the unit on a level surface.

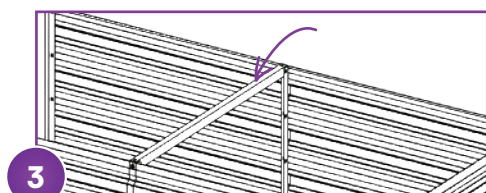
We recommend the use of safety gloves, glasses and boots for protection.



Step 1 Corner assembly - connect two corner brackets to an end panel; connect side panels to create two half sections.
Tip: First, fix the bottom three screws, then fit corner cap and top screws.



Step 2 Align side panels and vertical brace, then screw-fix to join two halves.



Step 3 Add horizontal brace.
Tip: Brace can be located below soil level if desired.

Place your raised garden bed in desired position, peg it down and fill with soil.

6/2023