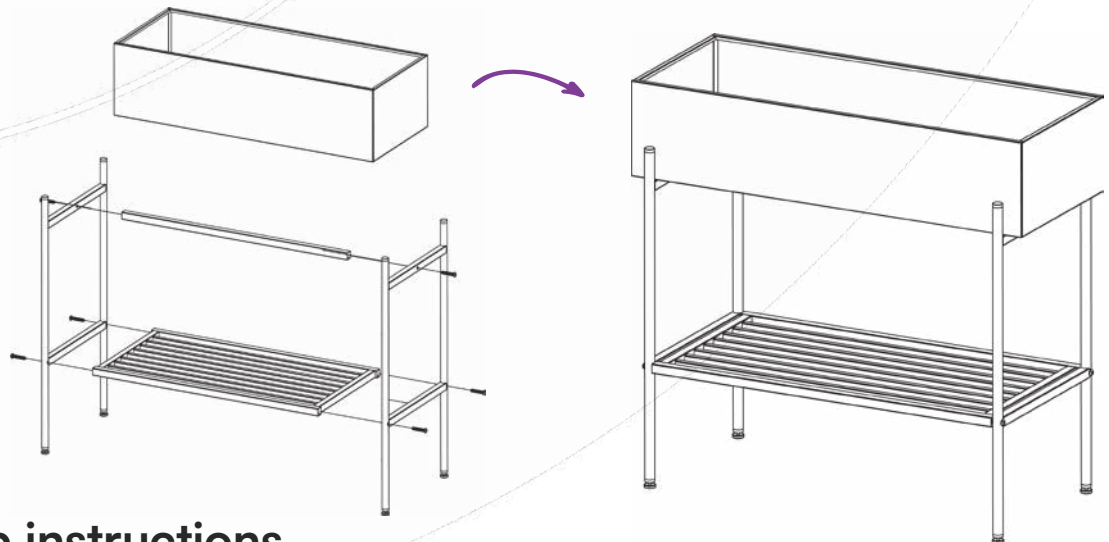
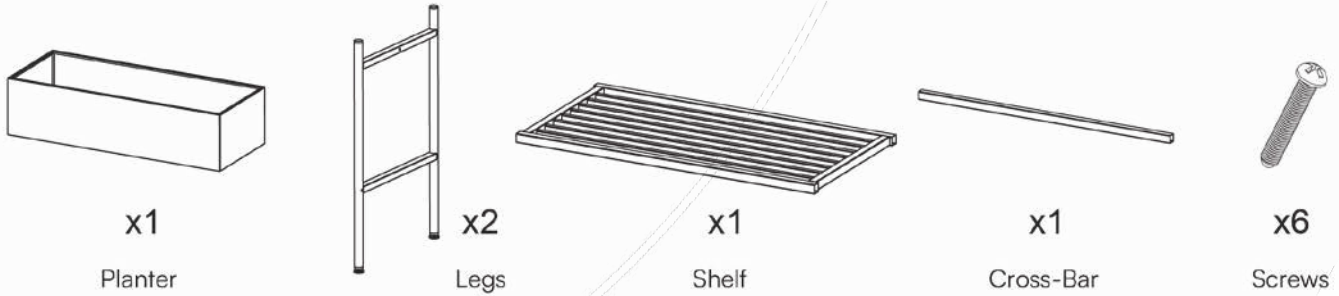


Raised Planter

Assembly Instructions

Components checklist



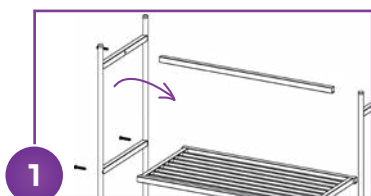
Step by Step instructions

READ ALL INSTRUCTIONS CAREFULLY BEFORE INSTALLING

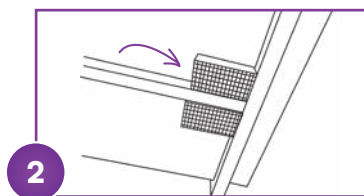
Unpack unit, remove protective plastic wrap and check you have all components.

Handle components with care due to sharp corners. Assemble the unit on a level surface.

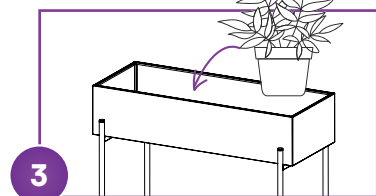
We recommend the use of safety gloves, glasses and boots for protection.



Step 1 Assemble base
- attach legs to shelf using four screws; then attach cross-bar. *Tip: Fix one leg to shelf and place it sideways on a flat surface to make attaching the other leg easier.*



Step 2 Place planter on assembled base. *Tip: The blocks on the underside of the planter are designed to help you accurately position the planter on the base.*



Step 3 Position your garden planter and fill with plants. *Tip: Built-in adjustable feet can be raised or lowered on uneven surfaces; use planter pots so you can quickly & easily swap out plants.*